



OBSIDIAN

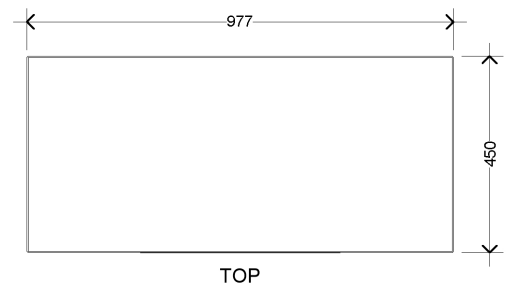
Obsidian a large inroom subwoofer designed to be the primary LFE subwoofer in larger Home Cinemas or where extended low frequency presence is desired. This subwoofer uses an 18" Neodymium ultra-low distortion driver with 4" voice coil for low power compression and will handle 3000W of amplification. Its energy is focused to produce high SPL and flat frequency response from 30-150Hz and then has minimal roll-off down to 20Hz.

All Elementi subwoofer are fully digital and benefit from floating 32 point DSP processing, digital crossovers, FIR filters with correction in the frequency and time domains, look forward speaker protection, high flow PASCAL amplifiers and high quality D/A converters. All amplifiers are specified with 3dB of headroom at maximum output to ensure there is no clipping or general distortion. Each speaker is custom tested and run in to ensure optimal performance out of the box.

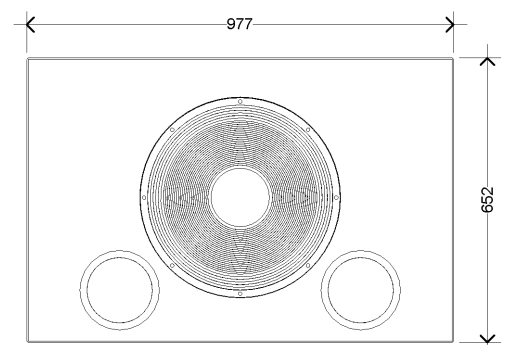


SPECIFICATIONS

DESCRIPTION:	Floor Mounted
USE:	Rubber Feet
ORIENTATION:	N/A
HF DISPERSION:	N/A
LF SECTION:	18" Neodymium
MD SECTION:	N/A
HF SECTION:	N/A
AMPLIFICATION:	2200W
FREQUENCY RANGE:	20-150Hz
CONTINUOUS/PEAK OUTPUT @1m:	125 + 3dB Headroom
DISTANCE FROM SEATS:	10m
IMPEDANCE:	4 Ohms
DIMENSIONS:	W:977 x D:450 x H:652mm



TOP



FRONT